



Tashia[®]
Water Solutions

**DISINFECTION
ARCHES**

Vehicle disinfection systems.

**New
compact
modular
structure**

(easy to ship)



Disinfection arches

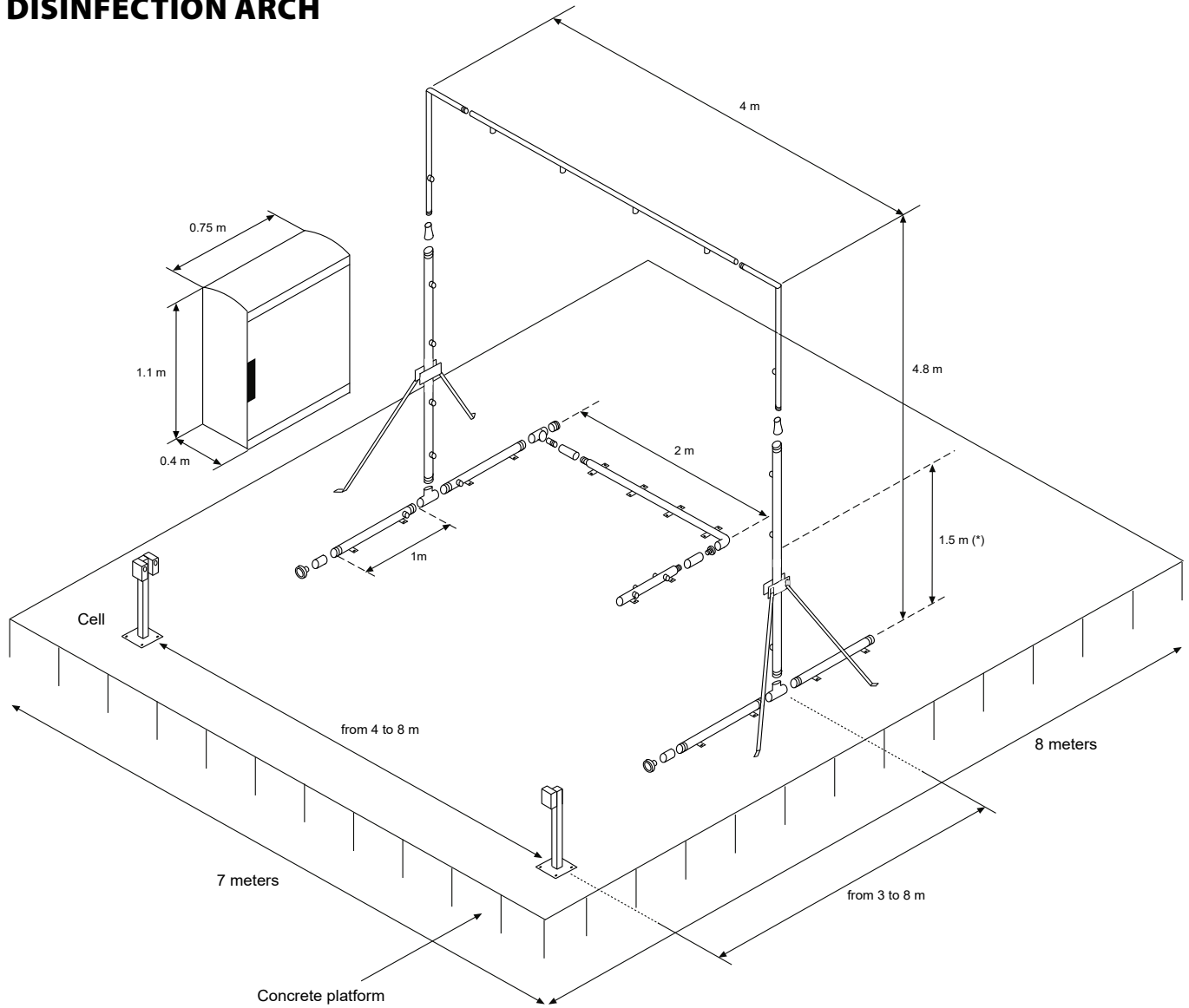
100% effective vehicle disinfection systems.

- A complete solution for improving your farm's biosecurity.
- Stainless steel structure and nozzles.
- Labor saving (automatic systems).
- Minimum maintenance (dosing on entry to arch).
- Product saving (vehicle direction discriminator).
- Propulsion pump (optional).
- Premixing tank (optional).
- Can be adapted to the needs of every site.

We offer a wide variety of arches and custom automations.

Contact our sales department for any additional information.

DISINFECTION ARCH



ORDER METHOD

ARK - **T** - **DSA** + **D**

ARK Complete arch
ARKS Semi-arch
- No option
T Ground part (for ARK and ARKS)

1SA 1-direction advanced disinfection
DSA Direction discriminator
P Manual - Button

Model	Code	Description
-	-	No option
A	17200911	Outdoor cabinet made from polyester
B	11021020	Pump for complete arch
BS	11021011	Pump for semi-arch
DP	17200901	300-liter auxiliary tank

Model	Code	Description
ARK	17200000	Complete arch
ARKS	17200010	Semi-arch

GENERAL INFORMATION:

Arch structure in 316L stainless steel.
 Working pressure: from 2.5 to 10 bar.
 Ideal pressure: 5 bar.
 Temperature: from 1 to 50 °C.
 Continuous operation.
 Anti-freeze system via heater cable (optional).

CHARACTERISTICS OF ARK MOD.:

Dimensions: 4 m (width) x 4.8 m (height).
 18 x 65° flat nozzles in stainless steel.
 Approx flow rate at 5 bar: 3500 l/h.

CHARACTERISTICS OF ARKS MOD.:

Dimensions: 4 m (width) x 1.5 m (height).
 12 x 65° flat nozzles in stainless steel.
 Approx flow rate at 5 bar: 2200 l/h.

Model	Code	Description
-	-	No option
T	17200050	Ground part (for ARK and ARKS)

GENERAL INFORMATION:

Arch structure in 316L stainless steel.
 Vehicle press bar in 316L stainless steel.
 Structure connection kit.
 Multiple installation points.
 Working pressure: from 2.5 to 10 bar.
 Ideal pressure: 5 bar.

Temperature: from 1 to 50 °C.
 Continuous operation.

CHARACTERISTICS:

Dimensions: 2 m (width) x 0.5 m (height).
 4 x 65° flat nozzles in stainless steel.
 Approx flow rate at 5 bar: 750 l/h.

Model	Code	Description
1SA	17200711	1-direction advanced disinfection
DSA	17200730	Direction discriminator
P	17200740	Manual - Button

GENERAL INFORMATION:

230 Vac control unit.
 Pre-installed 1-inch PVC panel.
 Dosing pump DMX 50 l/h PVC/T/T.
 Pressure manometer: glycerin 0-10 bar.
 1-inch PVC check valve.
 1-inch electrovalve, 24 Vdc.
 Working pressure: from 0.5 to 10 bar.
 Ideal pressure: 5 bar.
 Temperature: from 1 to 35 °C.
 Continuous operation.
 The product is not in contact with the equipment.
 Compatible with ARK, ARKS and T.

CHARACTERISTICS OF DSA:

Single-direction disinfection on entry and exit.
 Direction discriminator.
 Smart control unit.
 Photocell control.
 Totalizer for vehicles and hours.
 High-precision barrier photocell: 20 m, 24 Vdc.
 Photocell bases with protective stainless-steel cover.

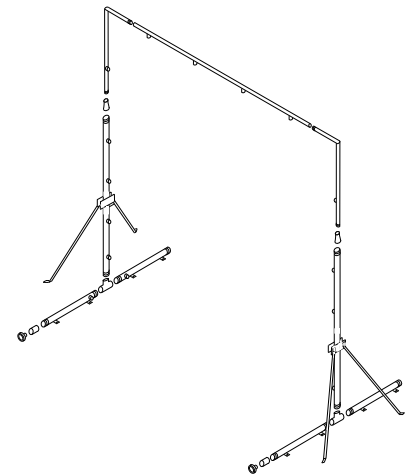
CHARACTERISTICS OF P:

Manual disinfection via button.
 Control unit with timer.
 Integrated button on the control panel.
 Optional remote button.

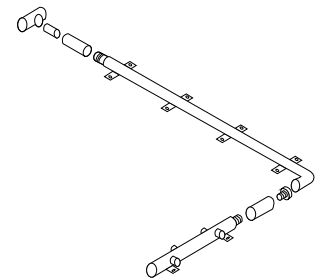
CHARACTERISTICS OF 1SA:

Single-direction disinfection on entry and exit.
 Smart control unit.
 Photocell control.
 Totalizer for vehicles and hours.
 High-precision barrier photocell: 20 m, 24 Vdc.
 Photocell bases with protective stainless-steel cover.

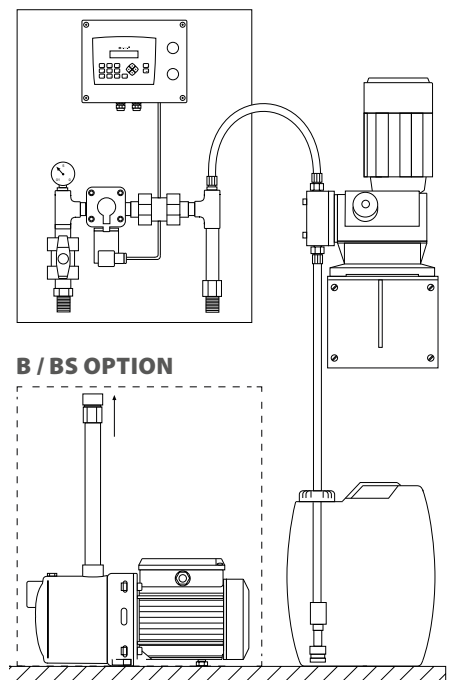
ARCH MODEL



STRUCTURE OPTIONS FOR ARCH



TYPE OF AUTOMATION



www.tashia.es

Tashia s.l. Pol. Industrial El Pla, C/Lluís Companys 5 · Artesa de Segre 25730 (Lleida) Spain
customers service tel. (34) 973 400 840 · comercial@tashia.es